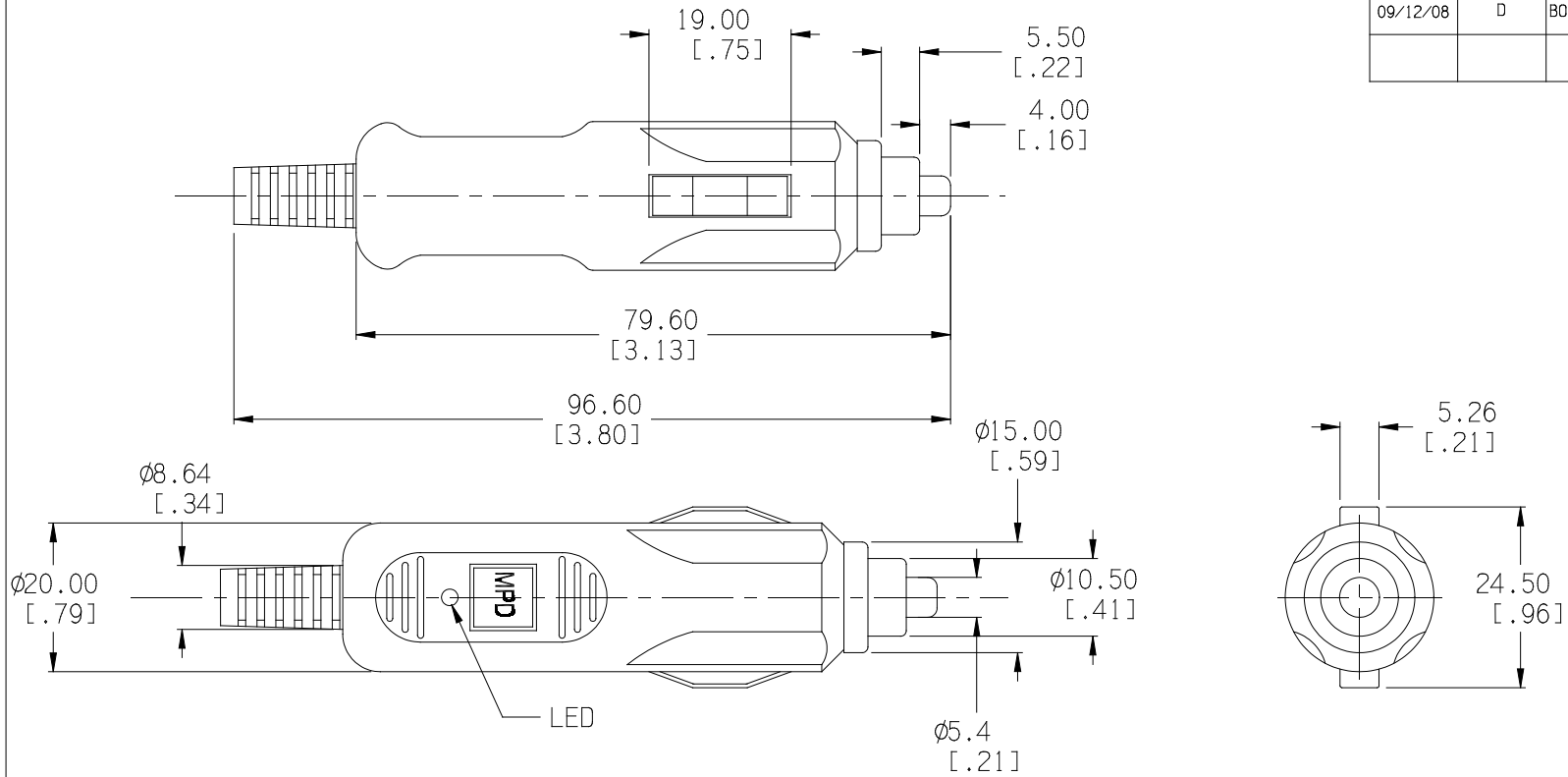



| Date     | SYM | REVISION RECORD             | AUTH | DR.  | CK. |
|----------|-----|-----------------------------|------|------|-----|
| 04/05/03 | A   | ADDED 15 AMP IN TITLE BLOCK | T.B. | B.S. |     |
| 03/11/06 | B   | SPRING MATERIAL WAS P.B.P.  | T.B. | B.S. |     |
| 10/28/06 | C   | ADDED "ROHS COMPLIANT"      | T.B. | B.S. |     |
| 09/12/08 | D   | BODY MATERIAL WAS NYLON 66  | T.B. | B.S. |     |
|          |     |                             |      |      |     |



**SPECIFICATION:**

BODY: NYLON 6, FLAMMABILITY RATING UL94V-0  
 COLOR: BLACK  
 CENTER CONTACT: BRASS, NICKEL PLATED  
 NEG. TERMINAL: SKS, NICKEL PLATED  
 POS. TERMINAL: P.B.P, NICKEL PLATED  
 SPRING: GALVANIZED STEEL WIRE  
 WIRE STRAIN RELIEF: PVC  
 LED: RED,  $\phi 3$ mm, 22K Ohm, 1/4 W  
 FUSE: 6.35mm x 30mm (1/4" X 1 1/4")  
 RATED AT 18 HOURS, CONTINUOUS DUTY  
 15 AMP'S MAX WITH CORRECT FUSE.  
 ROHS COMPLIANT

|                       |   |                |                  |
|-----------------------|---|----------------|------------------|
| Tolerance<br>(Inches) |  Memory Protection Devices, Inc.<br>200 Broad Hollow Road, Farmingdale, New York 11735 |                |                  |
| Decimal               |   | Scale          | Drawn By B.S.    |
| $\pm .5$ (.020)       |   |                | Approved By T.B. |
| Fractional            | Title   |                |                  |
| $\pm .8$ (.030)       | 15 AMP CIGARETTE PLUG FOR 21 OR 22.2mm DIA. SOCKETS   |                |                  |
| Angular               | Date  | Drawing Number |                  |
| $\pm 3^\circ$         | 09/12/08  | APP-001-15AMP  |                  |